



Extended Raised Floor Grommets



3 inch/76 mm filaments
Item No. 10012



6 inch/152 mm filaments
Item No. 10013

Applications

Designed to seal a variety of existing perimeter openings, with the added flexibility of modification for large and unique openings.

Based on measurements at multiple data centers, 50-80% of valuable conditioned air is not reaching the air intake of IT equipment due to unsealed floor openings. This lost air, known as bypass airflow, contributes to IT equipment hotspots, cooling unit inefficiencies, and increasing infrastructure costs. KoldLok products specifically address bypass airflow and its detrimental effects on data center cooling.

Benefits

- Increases existing cooling unit capacity
- Reduces the need to purchase additional cooling units
- Improves equipment reliability and extends equipment life
- Increases static pressure under the raised floor and improves cool air delivery through perforated tiles and floor grates
- Facilitates Hot and Cold Aisle best practices

Features

The new design is compatible with both 24 inch and 600 mm tiles.

The Grommets can be modified to seal unique cable openings.

The Grommets integrate with the raised floor static dissipation system, providing 1 GigaOhm of resistance.

The Grommets contain no loose or partially fastened parts, which can become separated or fall through the raised floor.

KoldLok products are compliant with Directive 2002/95/EC of the European Parliament and the Council on the Restriction of the Use of Certain Hazardous Substances in Electrical and Electronic Equipment (RoHS).

KOLDLOK®

Specifications

Dimensions and Tile Cutting Requirements	Inches (W x D x H)	Millimeters (W x D x H)
Overall size (Item No. 10012)		
Maximum cutout size sealed	24 x 4	610 x 102
Usable cable area	22 x 2½	559 x 64
Height above the raised floor	1 inch with mounting system installed	25 mm with mounting system installed
Overall size (Item No. 10013)		
Maximum cutout size sealed	24 x 7	610 x 178
Usable cable area	22 x 5½	559 x 140
Height above the raised floor	1 inch with mounting system installed	25 mm with mounting system installed

Patented Sealing System

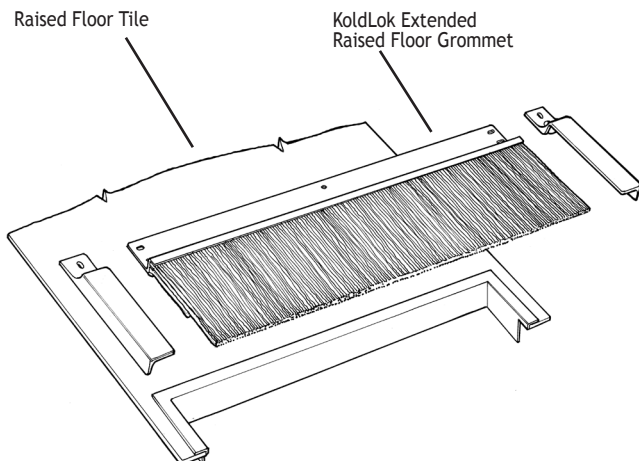
(U.S. Patent No. RE41863 and International patents pending)

Multi layer, opposing and interwoven filaments consisting of:

- 0.010 inch diameter upper filaments for Item No. 10012
- 0.020 inch diameter lower filaments for Item No. 10012
- 0.020 inch diameter upper filaments for Item No. 10013
- 0.036 inch diameter lower filaments for Item No. 10013
- Approximately 34,000 filaments for Item No. 10012
- Approximately 10,000 filaments for Item No. 10013
- Static dissipative properties
- Premium-grade nylon Type 6, ensuring flexibility and self-sealing recovery

Sealing Effectiveness

- 100% bypass airflow sealing in areas undisturbed by cable penetrations at static pressures up to 0.10 inches of water column



- 100% bypass airflow sealing with four ½ inch cables penetrating the Grommet at the static pressure required to cool up to 3 kW/cabinet
- 95% bypass airflow sealing with four ½ inch cables penetrating the Grommet at a static pressure of 0.50 inches of water column

Floor Mounting System

Standard self-tapping screws or custom adhesive mounting kit consisting of:

- Double-sided, pressure sensitive foam with adhesive backing
- Polyethylene foam pads for static dissipation
- All foam components are non-particulating

Other Materials

- Filament holder: anodized aluminum alloy, black finish
- End Caps: PC/ABS, black

The Grommets can be disassembled for custom modification

